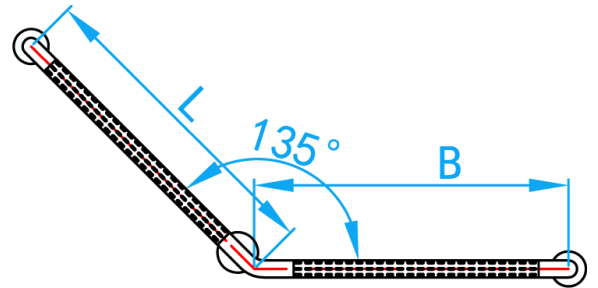


# ANTIBACTERIAL S/STEEL HANDICAPPED GRAB BAR FOR AMBULANT TOILET

COMPLY WITH JIS Z 2801:2000



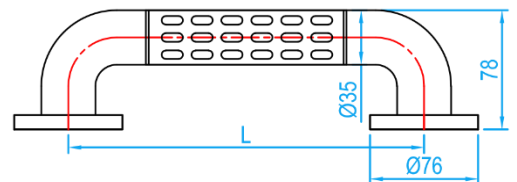
TYPE B : ABGBV



SIDE SECTIONAL VIEW

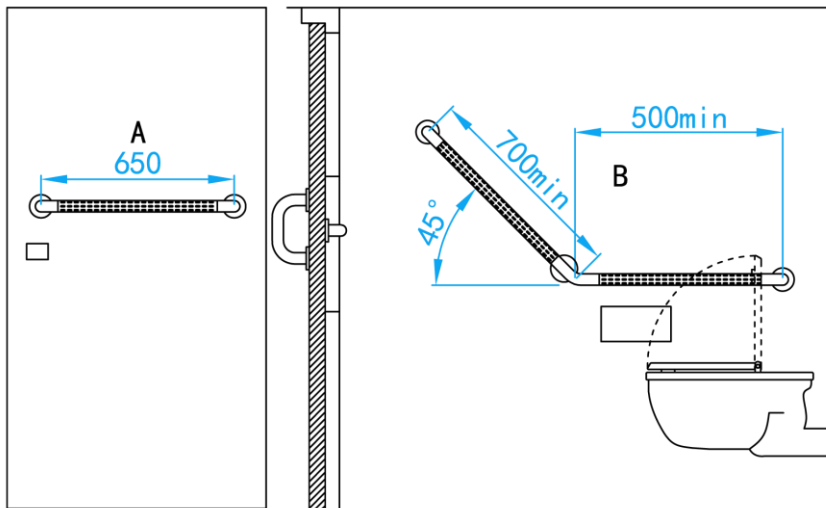


TYPE A : ABGB



SIDE VIEW

## AMBULANT TOILET



### STANDARD SPECIFICATIONS

SKU	MATERIAL	L (mm)	PIPE DIAMETER (mm)	WEIGHT (kg)	PCS/CTN
ABGB0650	AISI304 & NYLON	650	Ø35	1.15	20
ABGBV07000700B	AISI304 & NYLON	700 (L) x 700 (B)	Ø35	2.085	10